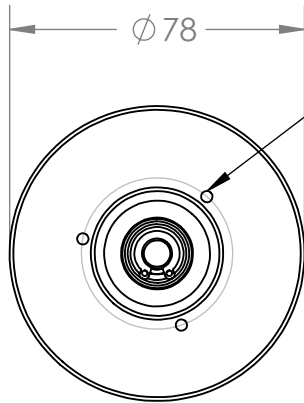


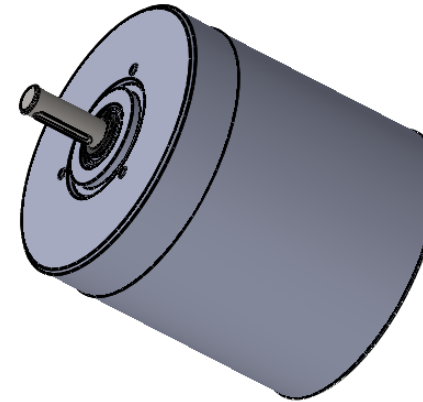
Scale 1:2 Units: mm

Date: 06-June-2016



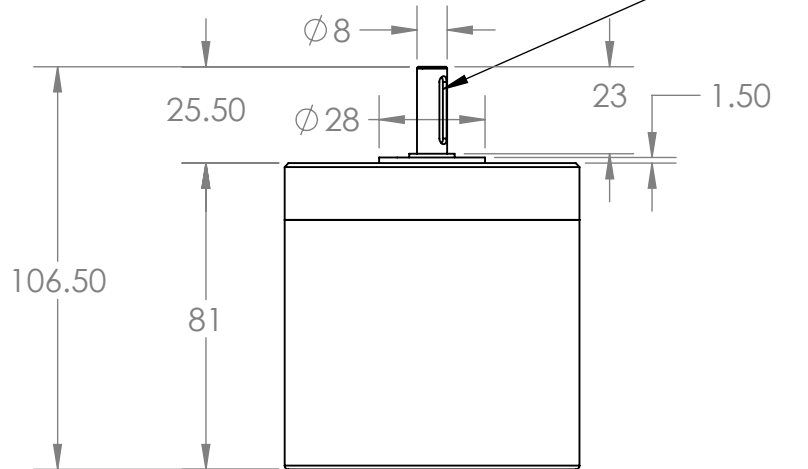
PCD 40 mm -M4 thread - 3 Nos @ 120 degrees

Top View



Isometric View

Keyway 3mm width x 18 mm length x 1 mm depth



Side View

Watts	Machine Length
100	81 mm
50	61 mm
30	61 mm